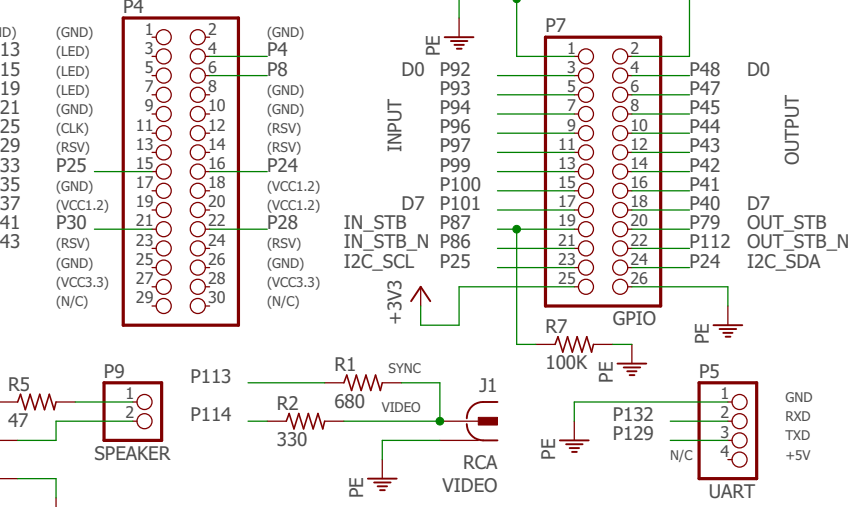
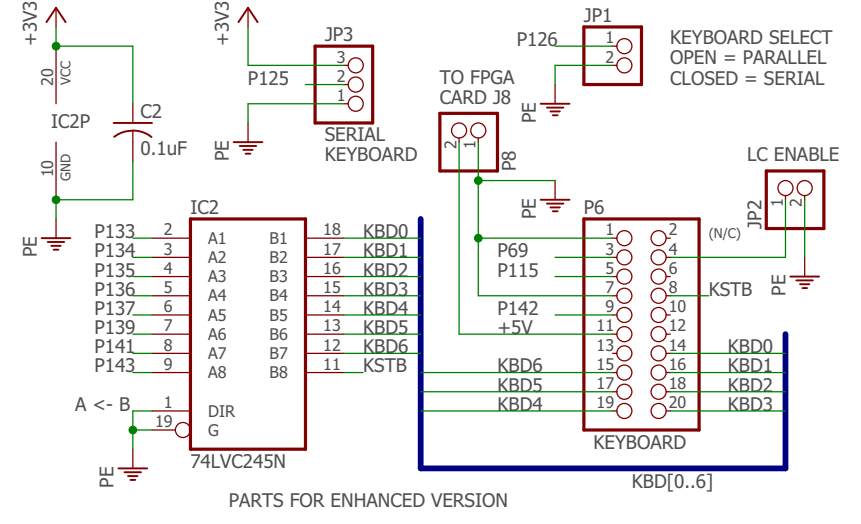
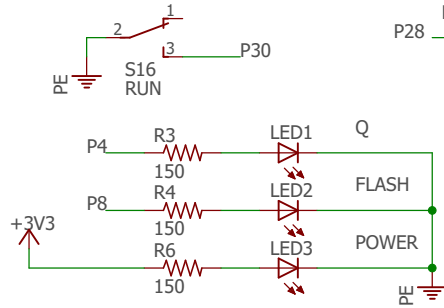
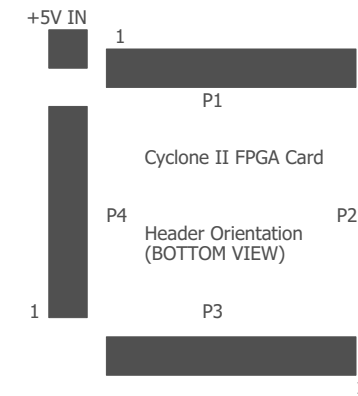
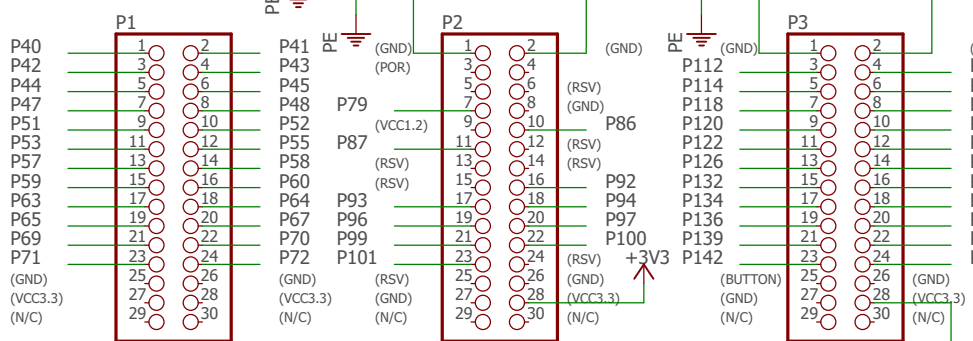
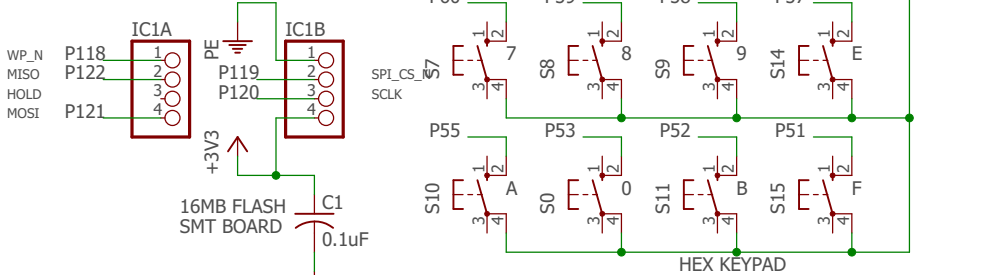


NOTES:

1. The FPGA card has 28 pin headers and requires 28 pin receptacles. But 28 pin receptacles are difficult to find. So, 30 pin receptacles are substituted with pins 29 and 30 unused.

2. FPGA card defined signals are in parentheses



TITLE: MicroVIP		REV:
Document Number:		
Date: 8/20/2017 9:54 PM	Sheet: 1/1	